



## ProSafe® 16- and 24-port Gigabit Ethernet Switches 10/100/1000 Mbps JGS500 Series

Data Sheet

### Take Gigabit to the Desktop



NETGEAR's JGS500 Gigabit Switch Series gives your office network a megaboost of speed and capacity that is within your budget. With up to 48 Gbps of bandwidth, these 16- and 24-port switches can blast 2000 Mbps per port while their affordable prices enable you to put them everywhere. Use it to take Gigabit Ethernet directly to the desktop! Standards-based for easy integration of 10-, 100-, and 1000-Mbps devices, these unmanaged, rack-mountable switches feature 10/100/1000 automatic speed and full/half-duplex sensing plus Auto Uplink™ on every port. Users can take advantage of their ability to deliver large amounts of multimedia, image, and video information in no time at all. Ideal for workgroups, labs, departments, or growing offices looking for outstanding performance at a low price.

#### High Capacity

1000-Mbps speeds and a switching capacity of up to 48 Gbps meet the performance needs for even the most bandwidth-hungry applications. The JGS500 series are perfect for graphics, multimedia, and other applications that have to move large files across the network quickly.

#### Affordable

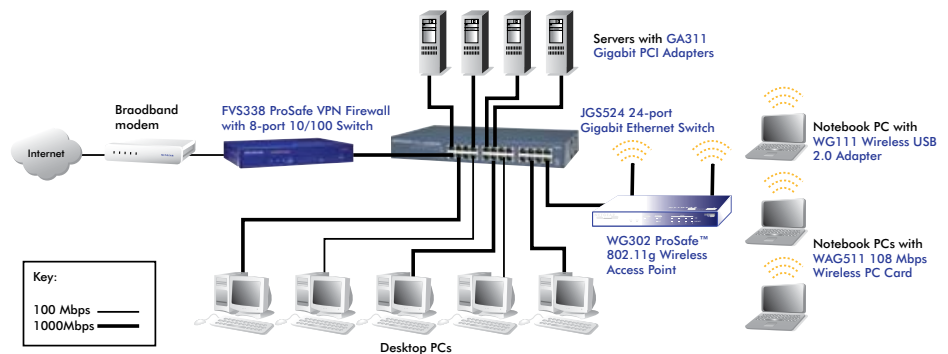
Aggressive prices enable your workgroup, department or small network to ramp up to Gigabit speeds, even all the way to the desktop.

#### Flexible

Each port is equipped with automatic speed and duplex sensing, plus Auto Uplink to adjust for straight-through or crossover cables to make the right link. Standards-based design makes it easy to combine 10-, 100-, and 1000-Mbps devices on your network.

#### Convenient

Easy to set up and easy to use, these unmanaged switches have per port LED's for effortless network monitoring. They are compact enough for the desktop but come with a rack-mount kit. They are also compatible with PC, Macintosh, Linux, and Unix operating systems.



1-888-NETGEAR (638-4327)  
Email: [info@NETGEAR.com](mailto:info@NETGEAR.com)



ProSafe® 16- and 24-port Gigabit Ethernet Desktop Switches 10/100/1000 Mbps

JGS500 Series

**Technical Specifications**

• **Network Ports**

- JGS516: 16 10/100/1000 Mbps twisted-pair RJ-45 ports
- JGS524: 24 10/100/1000 Mbps twisted-pair RJ-45 ports

• **Performance**

- Switching bandwidth:  
JGS516: 32 Gbps  
JGS524: 48 Gbps
- Forward rate (1000 Mbps port):  
1,480,000 packets per sec
- Forward rate (100 Mbps port):  
148,000 packets per sec
- Forward rate (10 Mbps port): 14,800 packets per sec
- Jumbo frames latency (1000 to 1000 Mbps): 20 µs max
- Packet buffer memory: 2 Mb
- MAC address database: 8,000
- Mean time between failures (MTBF):  
JGS516: 309,000 hours (~ 35 years)  
JGS524: 230,000 hours (~ 26 years)
- Acoustic noise: 40 dB

• **Power Consumption**

- 100-240V; 50-60 Hz; plug is localized to country of sale
- JGS524: 40W max
- JGS516: 25W max

• **Standards Compliance**

- IEEE 802.3i 10BASE-T Ethernet
- IEEE 802.3u 100BASE-TX Fast Ethernet
- IEEE 802.3ab 1000BASE-T Gigabit Ethernet
- IEEE 802.3x flow control

• **Status LEDs**

- Unit: power
- Per network port: Link, activity, speed

• **Physical Specifications**

- Dimensions (h x w x d):  
43 x 330x 207 mm (1.7 x 13 x 8.2 in)
- Weight:  
JGS516: 1.62 kg (3.57 lb)  
JGS524: 1.72 kg (3.79 lb)

• **Environmental Specifications**

- Operating temperature: 0° to 50° C (32° to 122° F)
- Operating humidity: 90% maximum relative humidity, non-condensing
- Storage temperature: -20° to 70° C (-4° to 158° F)
- Storage humidity: 10 to 95% relative humidity

• **Electromagnetic Compliance**

- CE mark, commercial
- FCC Part 15 Class A
- VCCI Class A
- EN 55022 (CISPR 22), Class A, EN 50082-1,
- EN 55024
- C-Tick

• **Safety Agency Approvals**

- UL listed (UL 1950)/cUL
- IEC 950/EN 60950

**System Requirements**

- UTP Category 5 cables or better
- Network card for each PC or server

**Warranty**

- NETGEAR Lifetime Warranty†

**ProSupport Service Packs Available**

• **OnCall 24x7, Category 1**

- PMB0331-100 (US)
- PMB0331 (non-US)

• **XPressHW, Category 1**

- PRR0331

**Package Contents**

- 16- or 24-port Gigabit Ethernet Switch (JGS516 or JGS524)
- Power adapter
- Installation guide
- Rack-mount kit
- Warranty/support information card

**NETGEAR Related Products**

- Copper Gigabit PCI Adapter (GA311)
- 5-port Gigabit Ethernet Switch (GS105)
- 8-port Gigabit Ethernet Switch (GS108)
- 16-port Gigabit Ethernet Switch (GS116)

**Ordering Information**

• **JGS516**

- North America: JGS516NA
- General Europe: JGS516GE
- UK: JGS516UK
- Asia: JGS516AU
- Japan: JGS516-100JPS

• **JGS524**

- North America: JGS524NA
- General Europe: JGS524GE
- UK: JGS524UK
- Japan: JGS524-100JPS



**NETGEAR®**

350 E. Plumeria Drive  
San Jose, CA 95134-1911 USA  
1-888-NETGEAR (638-4327)  
E-mail: info@NETGEAR.com  
www.NETGEAR.com

©2008 NETGEAR, Inc., the NETGEAR logo, Connect with Innovation, Everybody's connecting, FrontView, the Gear Guy logo, IntelliFi, ProSafe, ReadyNAS, RAIDar, RAIDiator, RangeMax, X-RAID, and Smart Wizard are trademarks of NETGEAR, Inc. and/or its subsidiaries in the United States and/or other countries. Microsoft and Windows are trademarks of Microsoft Corporation in the United States and/or other countries. Other brand and product names are trademarks or registered trademarks of their respective holders. Information is subject to change without notice. All rights reserved.

\*Free basic installation support provided for 90 days from date of purchase. Advanced product features and configurations are not included in free basic installation support; optional premium support available.

†Lifetime warranty for product purchased after 05/01/2007. For product purchased before 05/01/2007, warranty is 5 years.

D-JGS516/JGS524-4